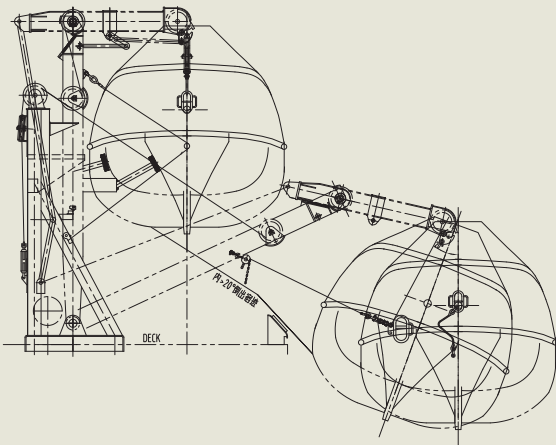
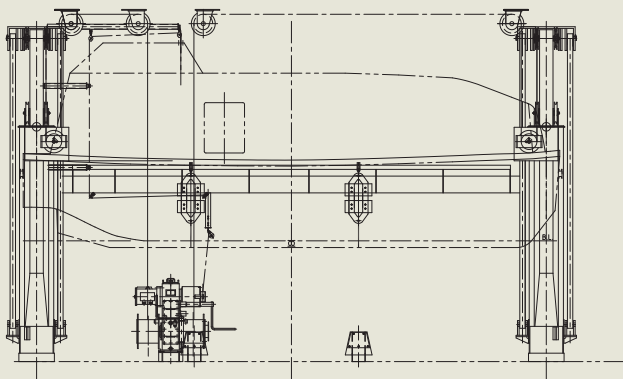
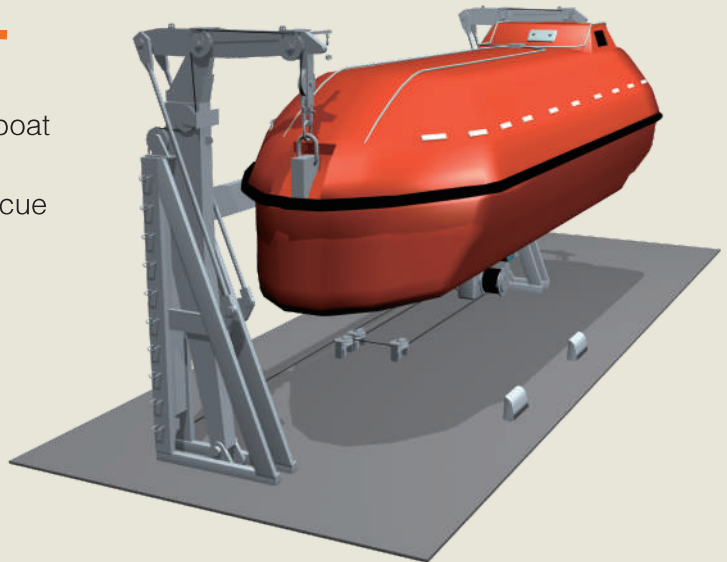


>> 连杆式吊艇架

CONNECTING ROD TYPE DAVIT

Connecting Rod Type Davit is lowering lifeboat and rescue boat depending on boat self weight, and recovering the lifeboat and rescue boat using electric boat winch.



型号 MODEL	工作负荷 S.W.L.(KN)	适用 Suitable
JY-GL70	70	JY50C/F
		JY50CA/FA
		JY57C/F
		JY65C/F
JY-GL95	95	JY70C/F
		JY80C/F
		JY80CA/FA
JY-GL120	120	JY85C/F
		JY85CA/FA
JY-GL155	155	JY93C/F
		JY102C/F